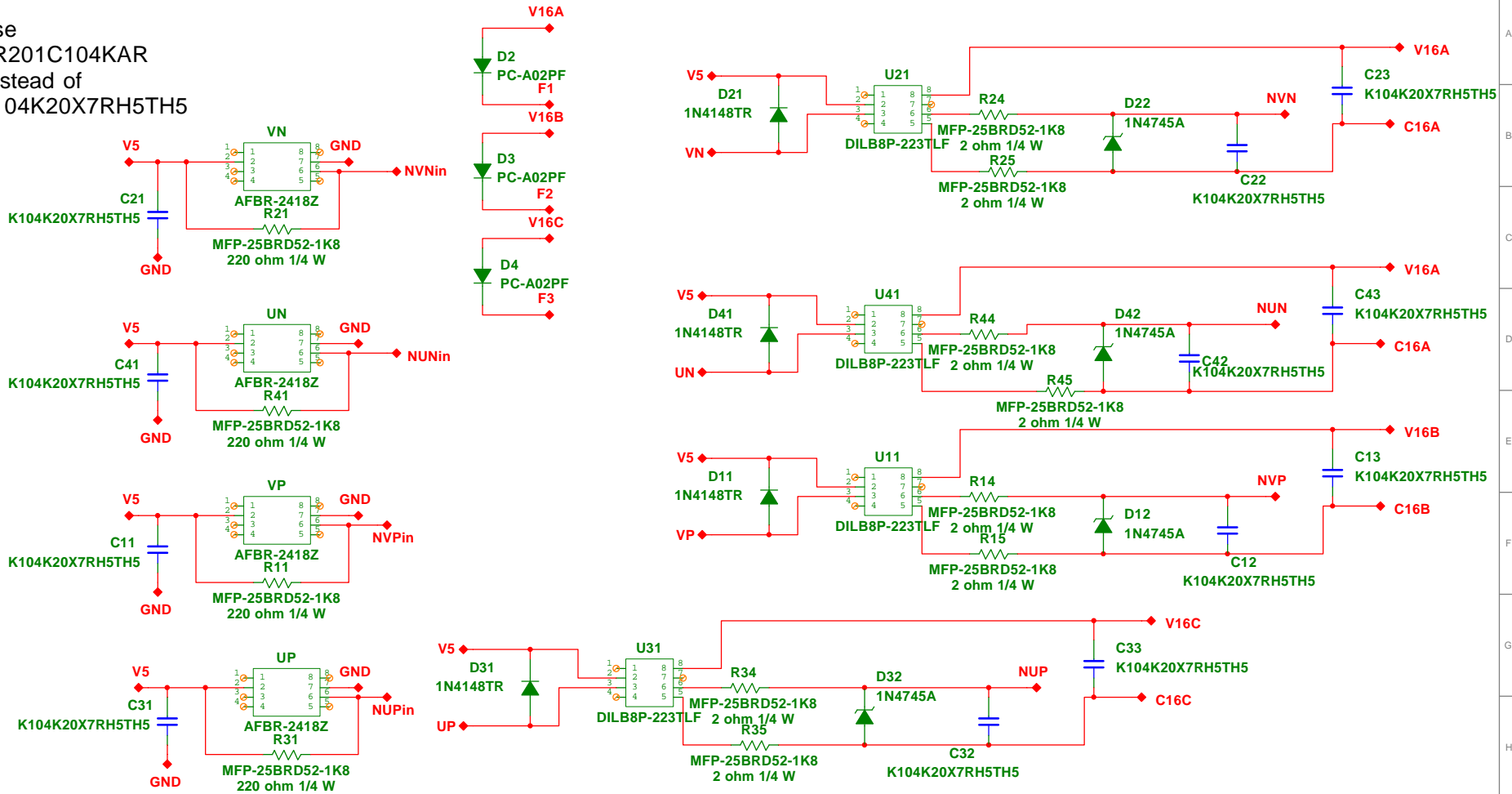
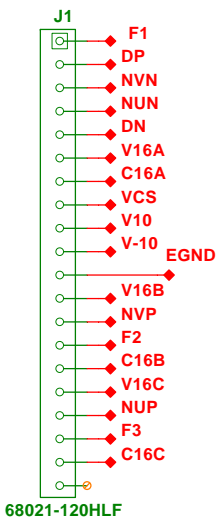
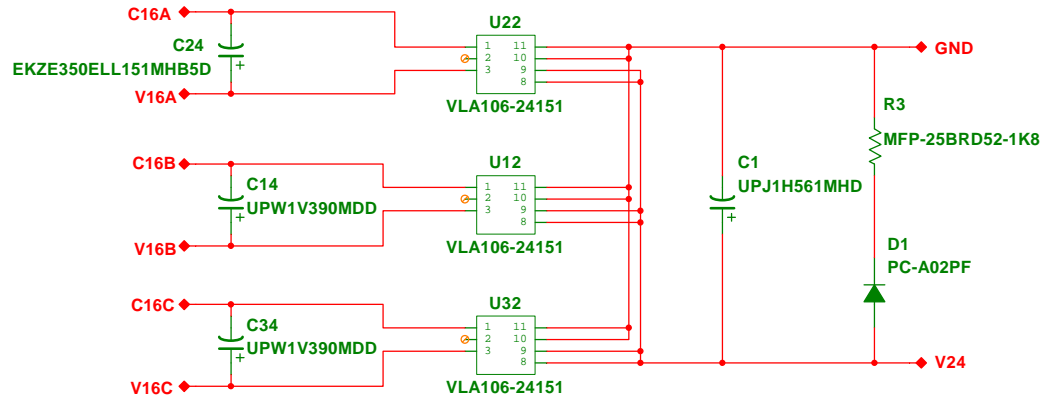
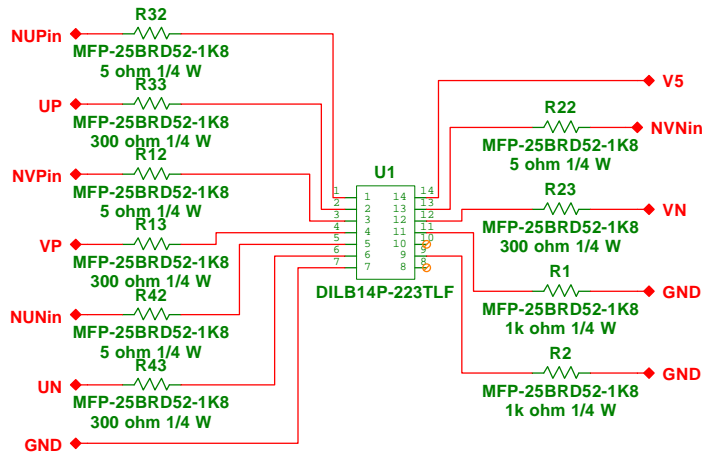


Use  
SR201C104KAR  
instead of  
K104K20X7RH5TH5



1% Resistors



1% Resistors

d are dSpace connections  
f are FPGA connections

