



WICHITA STATE  
UNIVERSITY

# **An Overview of Small Aircraft Design at Wichita State University**

---

L. Scott Miller

Professor & Chair, Aerospace  
Engineering

October 15, 2013

# Introduction

---

- WSU students have designed, built, tested, and flown over fifty (50) small and unique aircraft in the last five years:
  - Span 1-12 ft.
  - Weight 1-50 lbs.
- This presentation will review:
  - Recent academic and research experiences
  - Future plans and opportunities

# Academics

---

- Most of the aircraft are designed in the undergraduate capstone senior design course
- Some significant class goals include:
  - Going beyond conceptual design
    - Design; build; test; fly; & demonstrate!
  - Gain experience building and learning how to design-to-build
  - Provide opportunities to test and to reflect on the outcomes
  - Enhance other important skills
  - Address student, faculty, and industry interests (passions)

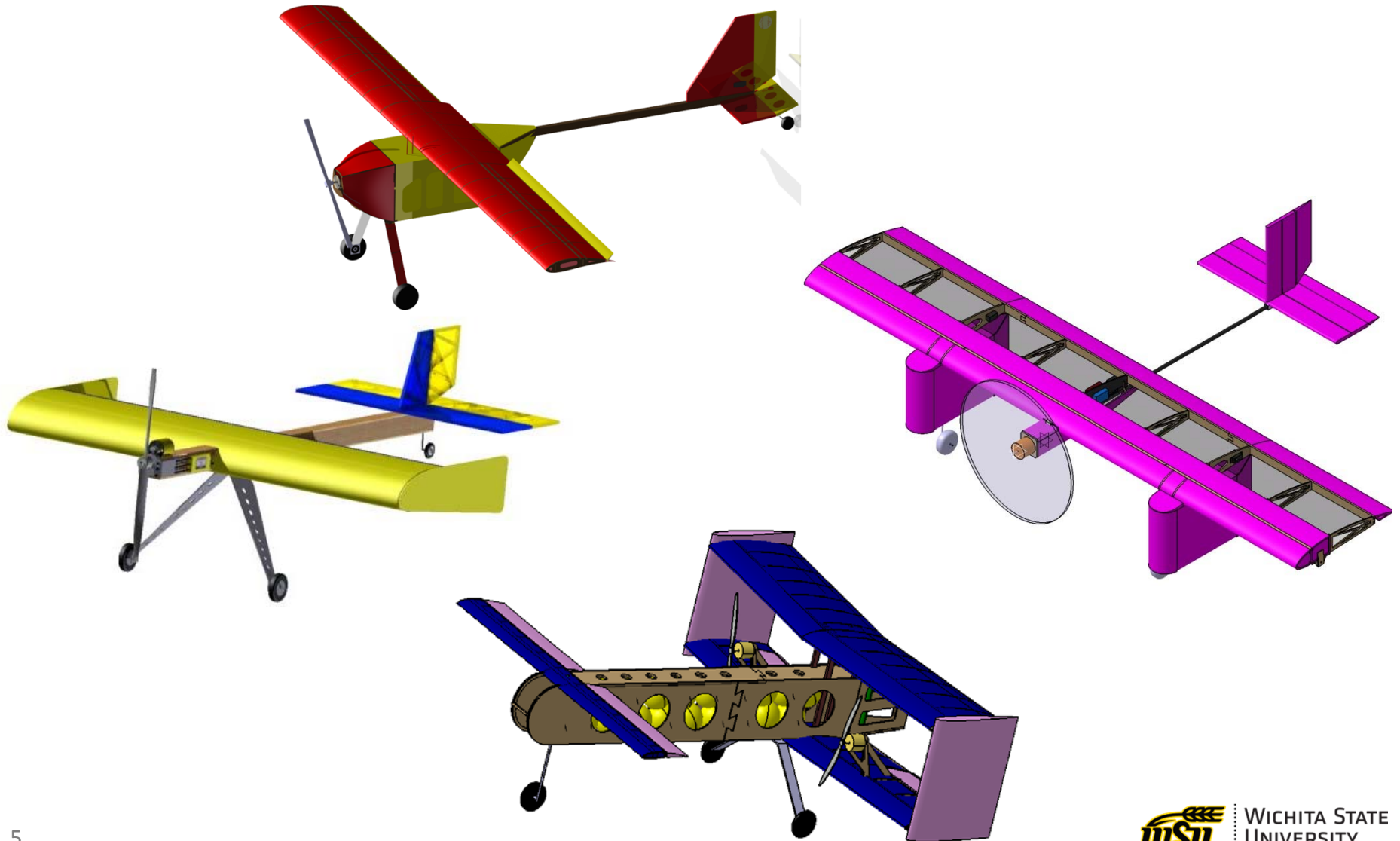
# Academic Examples

---

- Expanded activities:
  - Bronze Propeller Competition
    - A competition open to WSU students, WSU alumni, and high school students
  - AIAA DBF
  - A new sophomore-level design class
  - Other spin-offs (rockets!)

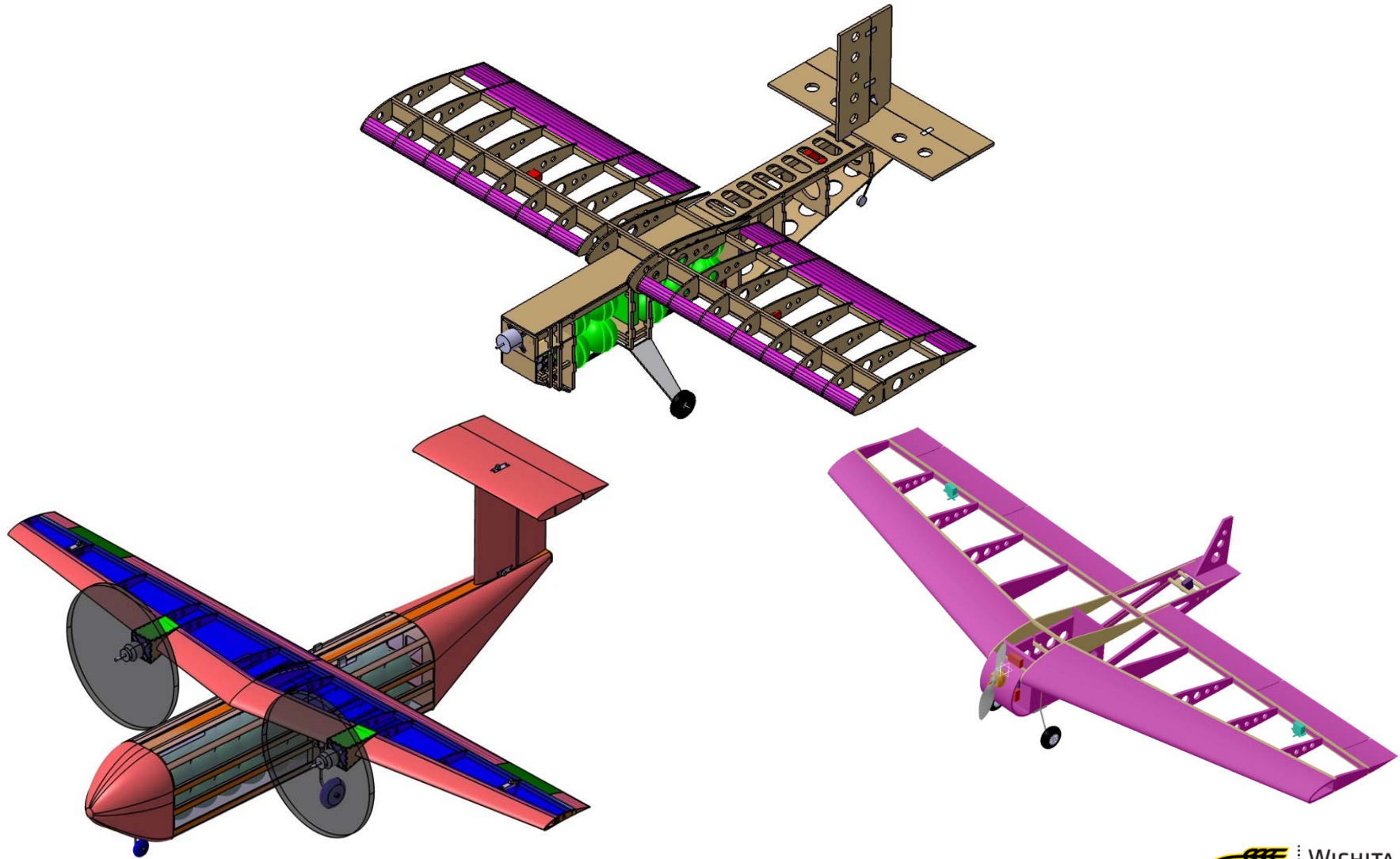
# Academic Examples

---

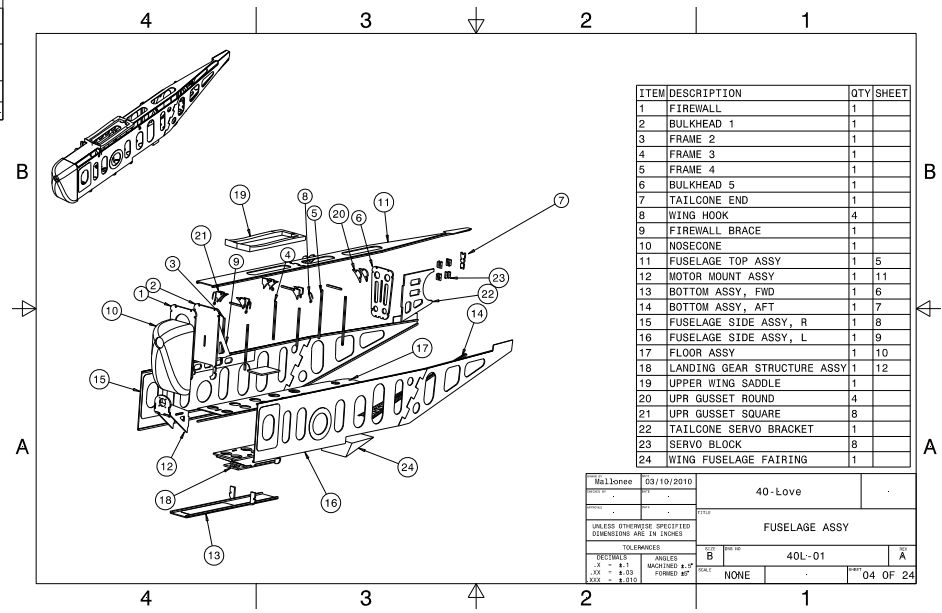
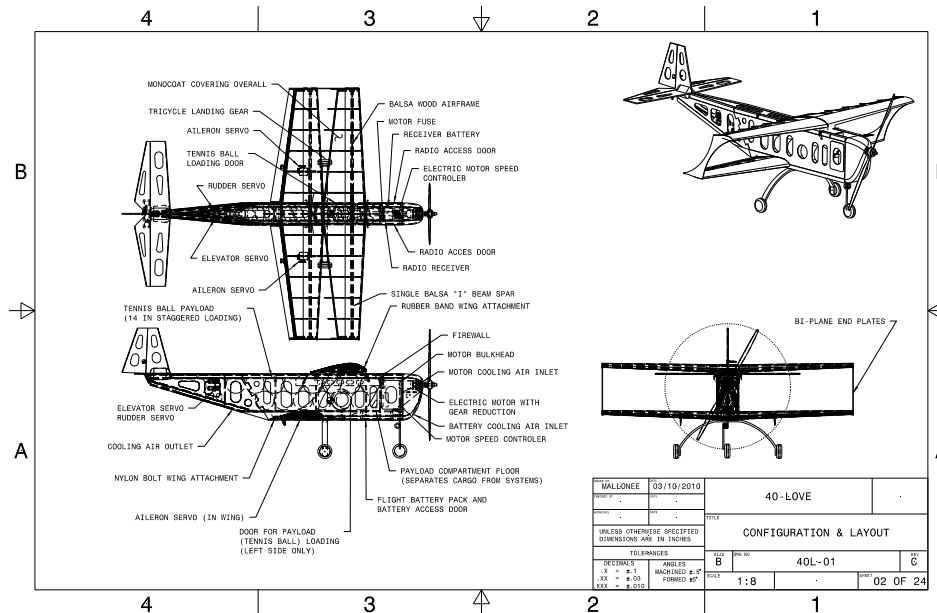


# Academic Examples

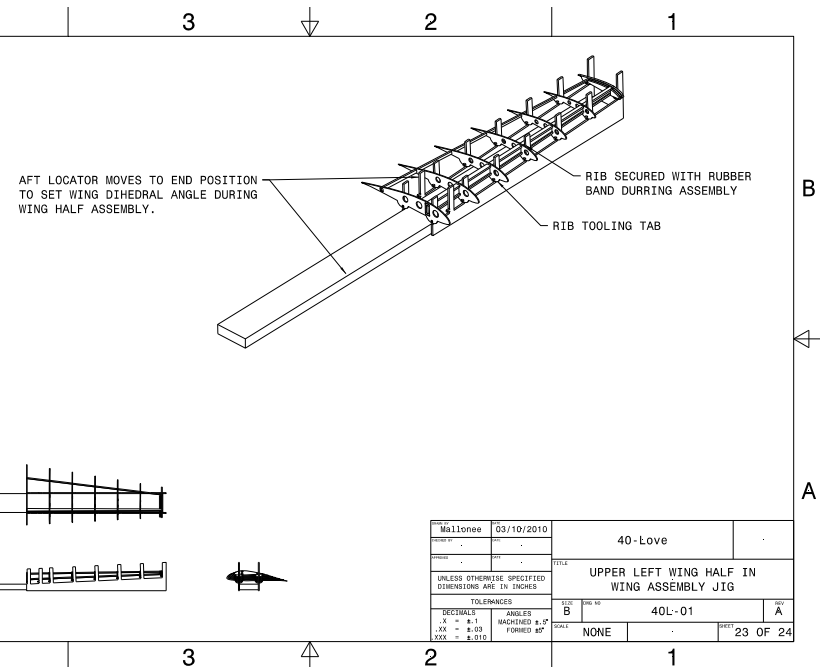
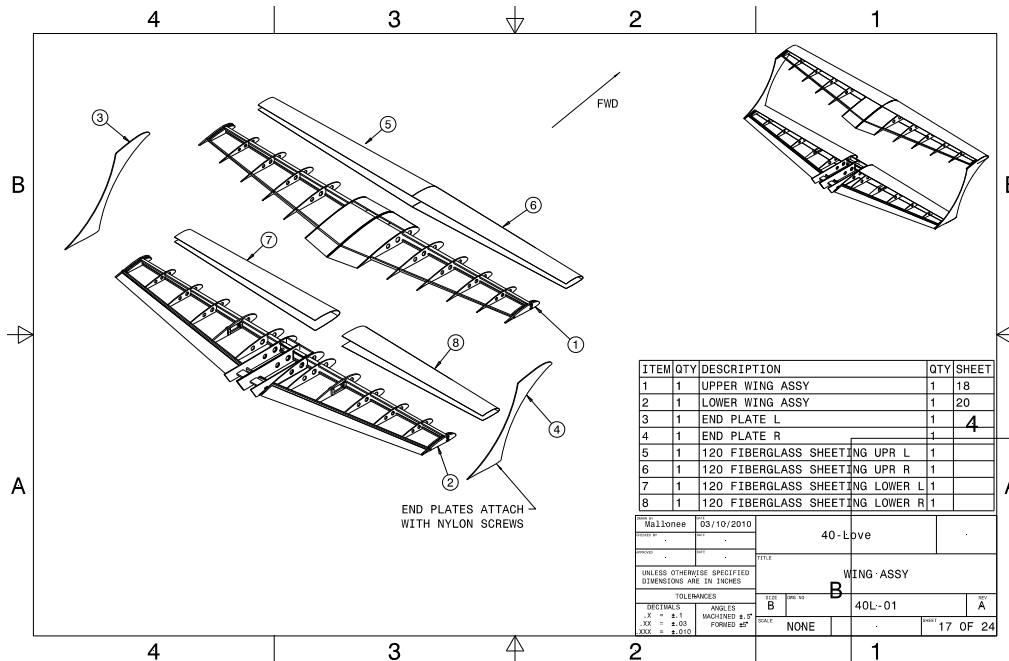
---



# Academic Examples

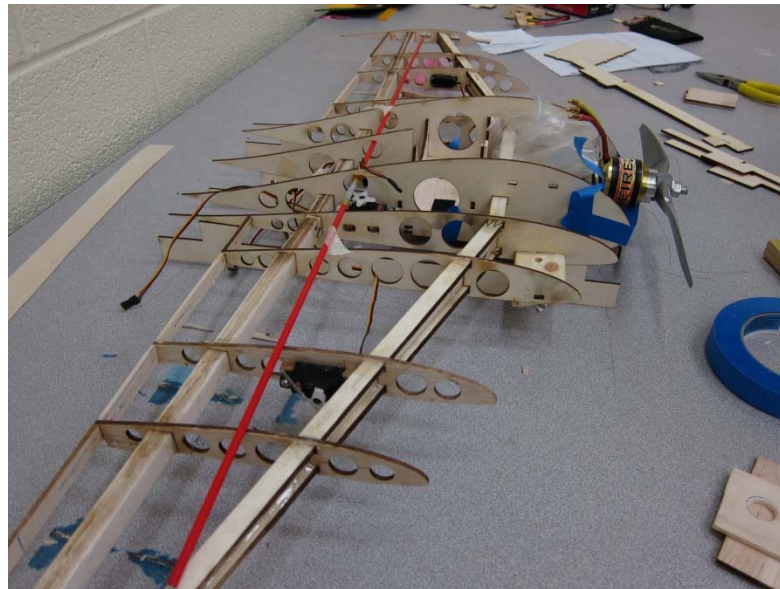
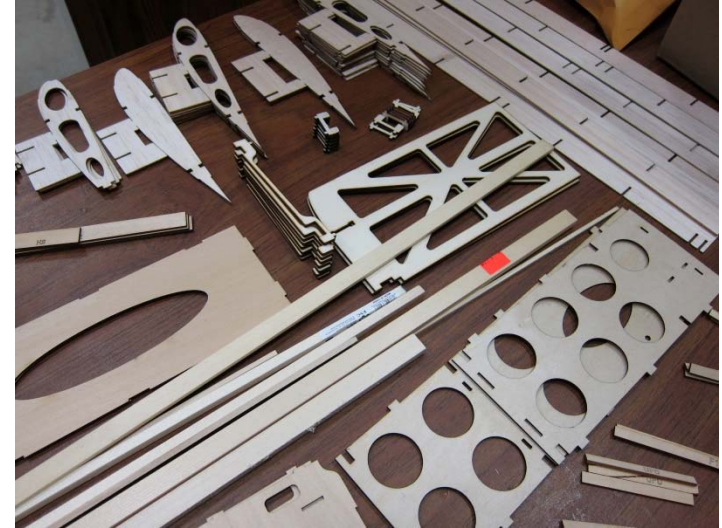


# Academic Examples

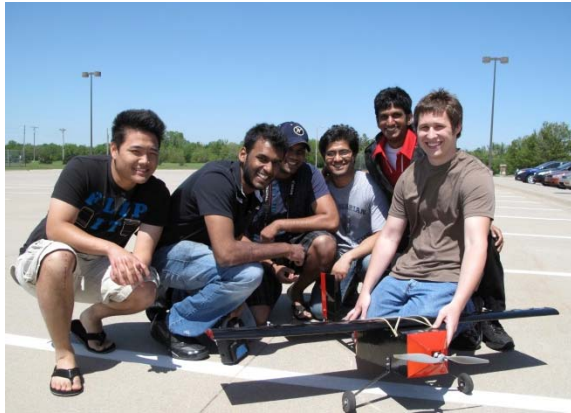




# Academic Examples



# Academic Examples



# Academic Examples

---



# Academic Examples



# Academic Examples

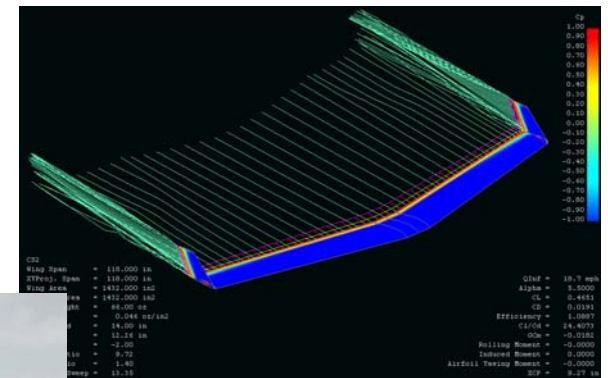
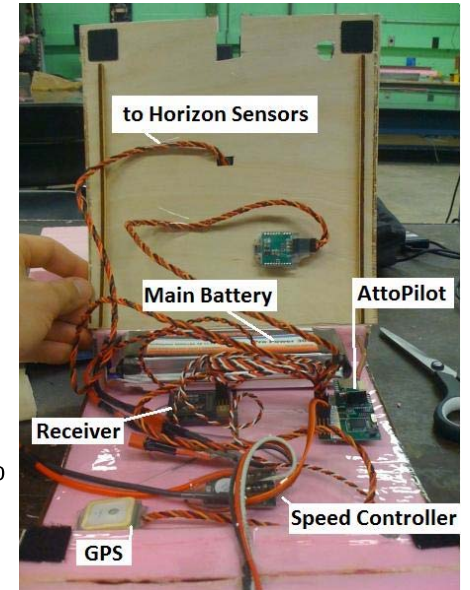
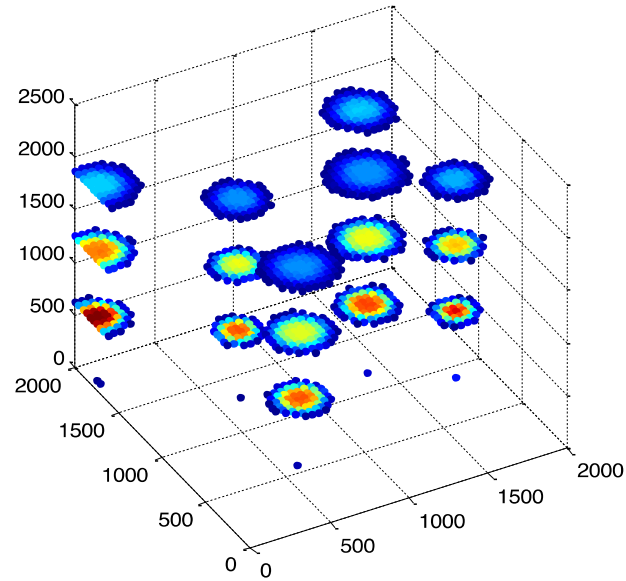


# Research

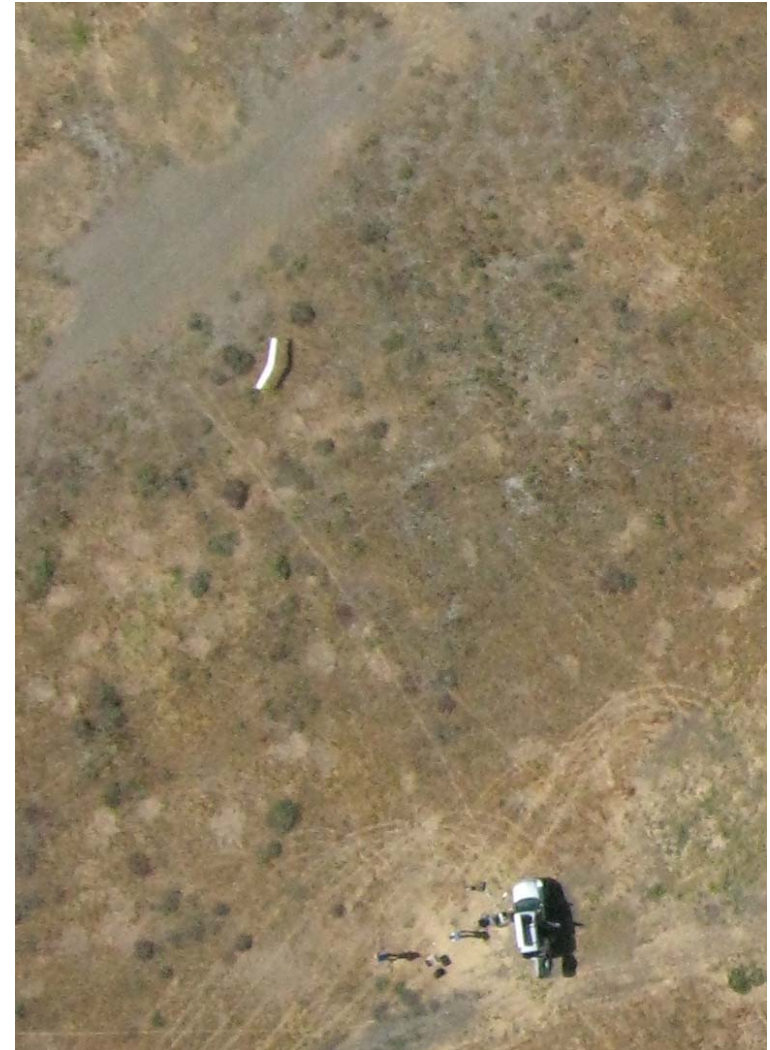
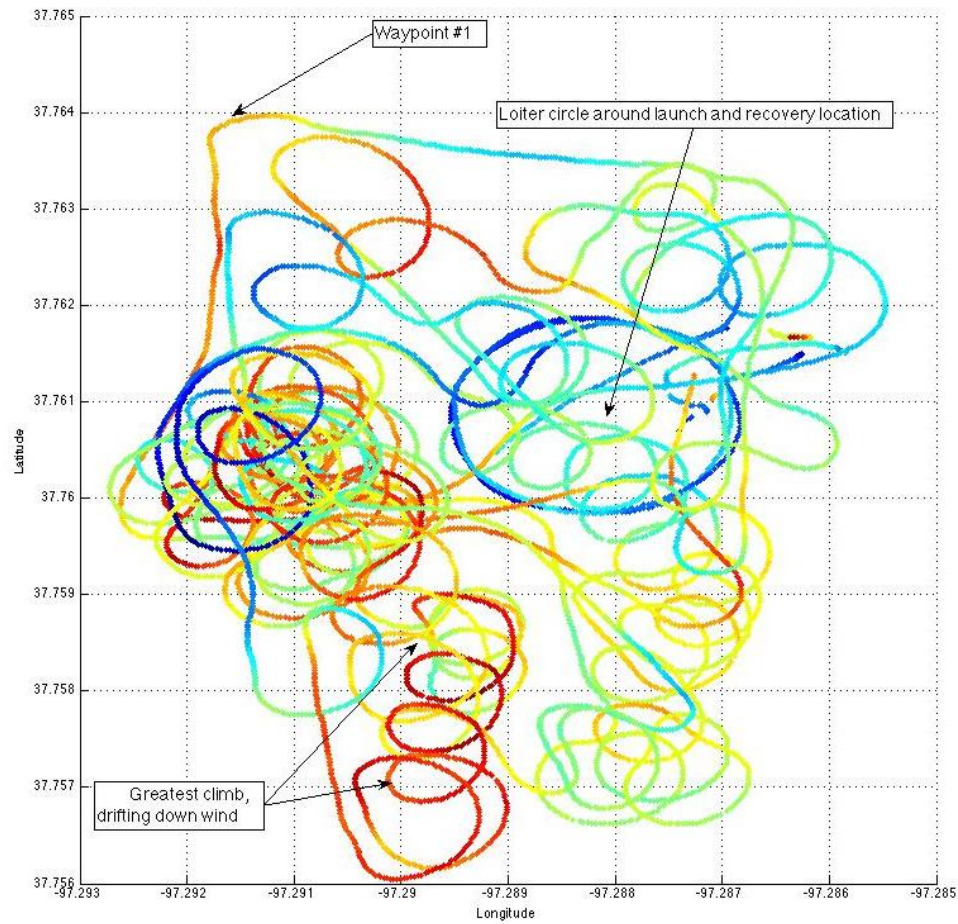
---

- My recent or current activities include:
  - Autonomous cooperative soaring
  - Course and curriculum development (autonomous aircraft)
  - Low Reynolds Number propeller testing, analysis, and design
  - Other assorted (skewed-hinge, flat plate wings, etc.)

# Research Examples

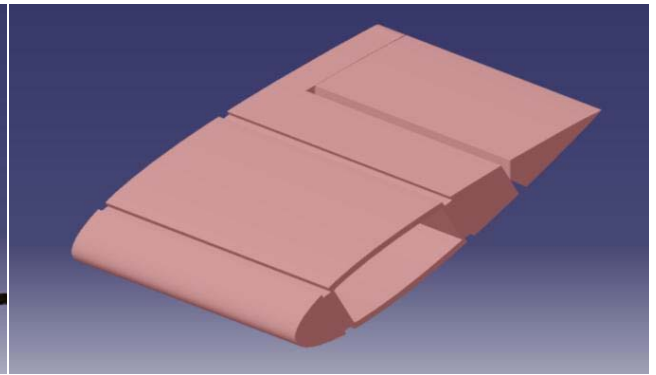
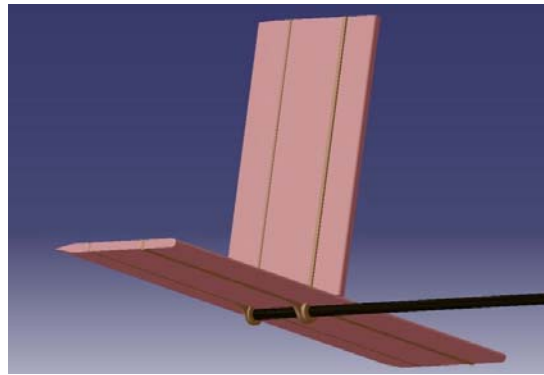
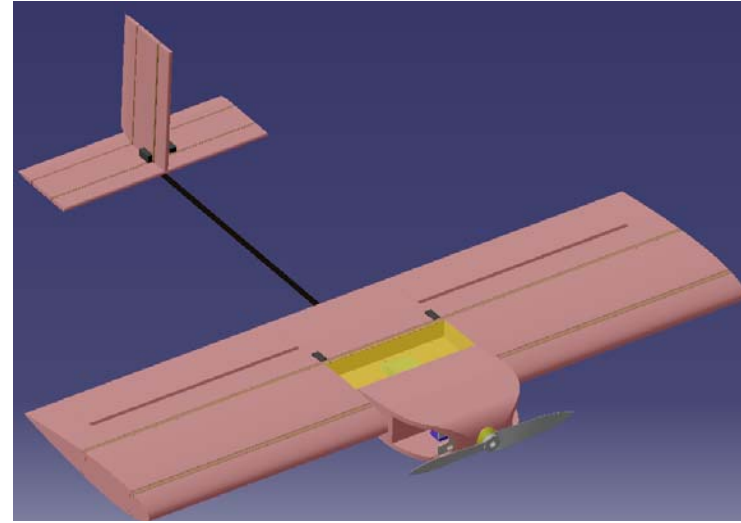
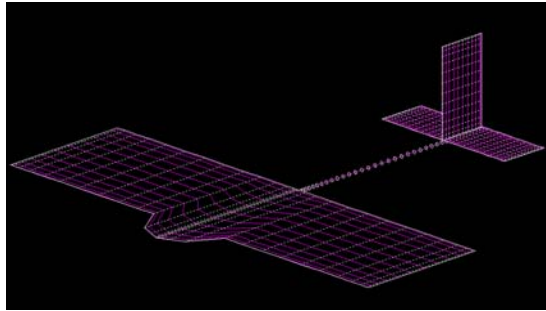


# Research Examples





# Research Examples



# Research Examples

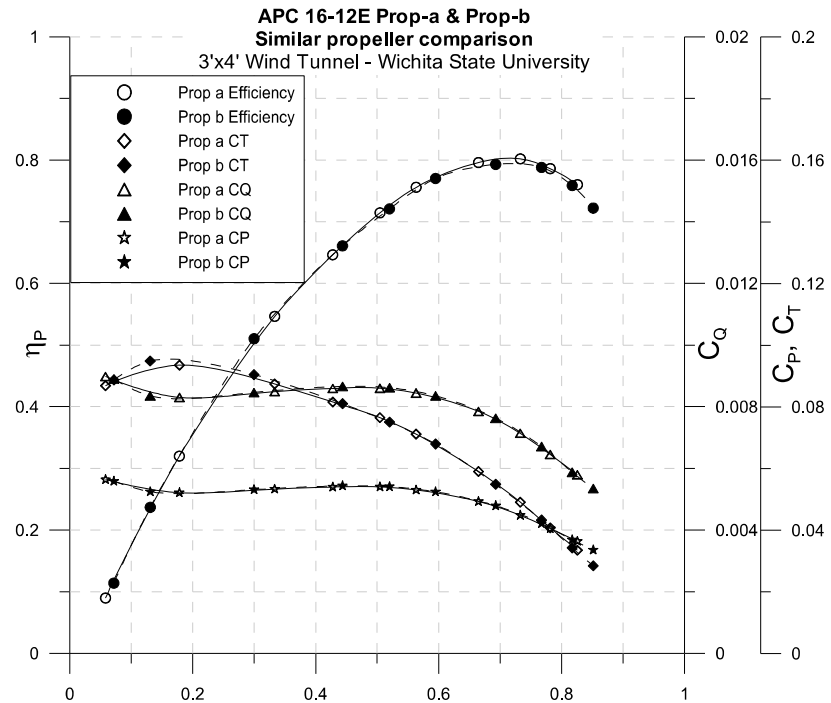
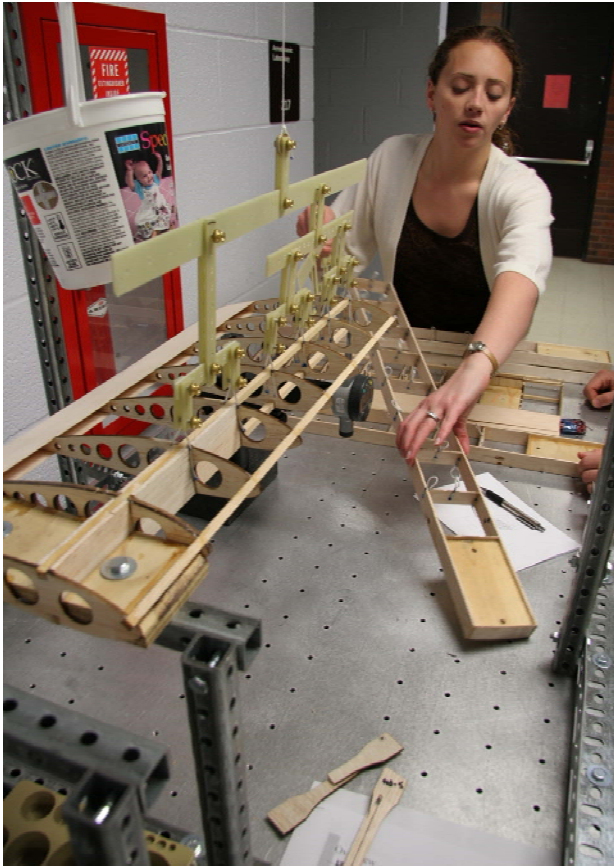


# Capabilities

---

- Classic vehicle design/analysis tools
- Quick build labs:
  - Laser & foam cutters
- Testing:
  - Low speed wind tunnels
  - Propulsion system, propeller, and battery test rigs
  - Material characterization & structural test fixtures
  - Simulation lab
  - Basic in-flight data logging and telemetry systems

# Related Capabilities



# Plans & Opportunities

---

- Academics
  - Expand student, hands-on, design and control system experiences
  - Convert to demonstrating fully-autonomous aircraft in the senior design class
- Research
  - Develop a fully characterized baseline research aircraft
  - Morphing aircraft projects
  - New controls concepts development
  - MS & PhD projects
  - Other opportunities & collaboration!

# Conclusions

---

- Students have learned lots through the many hands-on experiences
- Small aircraft prototyping capabilities are substantial and growing
- Research experiences are notable and growing
- There are opportunities for even more work and collaboration!

# Contact Information

---

- Feel free to contact me with questions or ideas:
  - L. Scott Miller, Professor & Chair
  - WSU Aerospace Engineering Department
  - [Scott.miller@wichita.edu](mailto:Scott.miller@wichita.edu)
  - 316-978-6334

Thanks for your attention!

